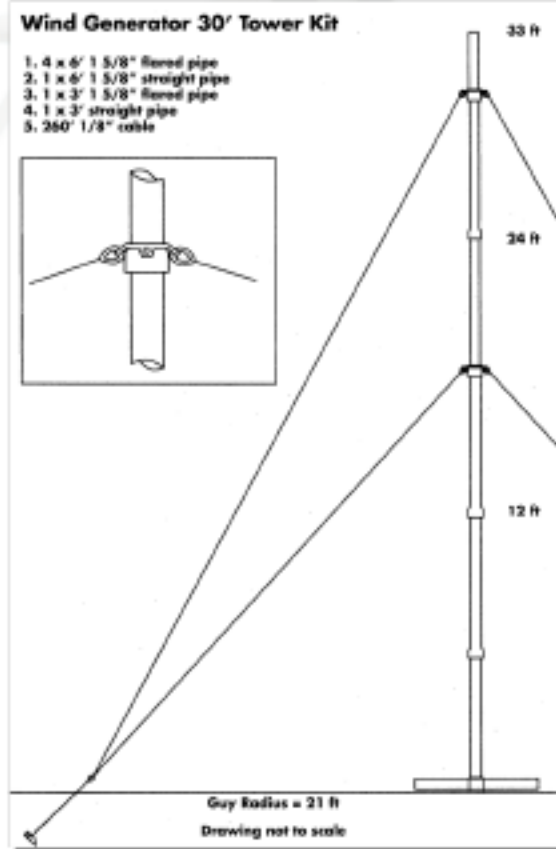


## WIND GENERATOR 30' TOWER KIT



### Tower Kit Includes:

- 6' x 1 5/8" flared pipe
- 6' x 1 5/8" straight pipe
- 3' x 1 5/8" flared pipe
- 3' x 1 5/8" straight pipe
- Anchors
- 90 degree angle
- 1/8" cable
- Earth staples
- 1/8" cable clamps
- 1/8" cable thimbles
- Plastic bag
- manual
- Wire ties
- Guy wire plate stampings
- Hardware box
- Pipe Box
- Sales policy document
- Cable Crimps

## WIND GENERATOR 30' TOWER KIT

### ***SPECIFICATIONS***

Product Name	Wind Generator 30' Tower Kit
Item Number	44455
Warranty	1 Years
Accessories Included	See Front Panel for List
UPC Code	787769444558
Country of Origin	USA

### **Dims & Weights**

Unit Dims	74" x 12" x 6"
Unit Weight	67 Lbs.
Inner Dims	None
Inner Weight	None
Inner Quantity	None
Master Pack Dims	None
Master Pack Weight	None
Master Pack Quantity	None
20' Container Quantity	N/A
40' Container Quantity	N/A
40' HQ Container Quantity	N/A
Pallet Quantity	10 Units